


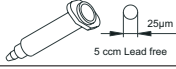

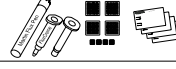


# Lead Free

HT00.0009	Flux Pen lead free* F-SW33, no clean, BF 670*	 HT00.0009	1 piece
HT00.0116	Flux Creme lead free* 5ccm, F-SW33, no clean, FP 748	 HT00.0116	1 piece
VD90.0220	Solder paste 5ccm finepitch lead free Sn95.5Ag4Cu; RMA, 25-45µm, D=>0.3/0.4*	 VD90.0220	1 piece
VD90.0135	Solder paste 5ccm super finepitch lead free Sn95.5Ag4Cu; RMA, 10-25µm, D=>0.17/0.2*	 VD90.0135	1 piece
HT00.1101	Solder balls lead free, 50,000 pc, PBGA Sn95.5Ag4Cu; 762µm (=g)	 HT00.1101	1 piece
VD90.3006	Demo Set III lead free: 4*pcbs, 4*BGA225, 4*CSP100, flux pen + creme, paste FP	 VD90.3006	1 piece